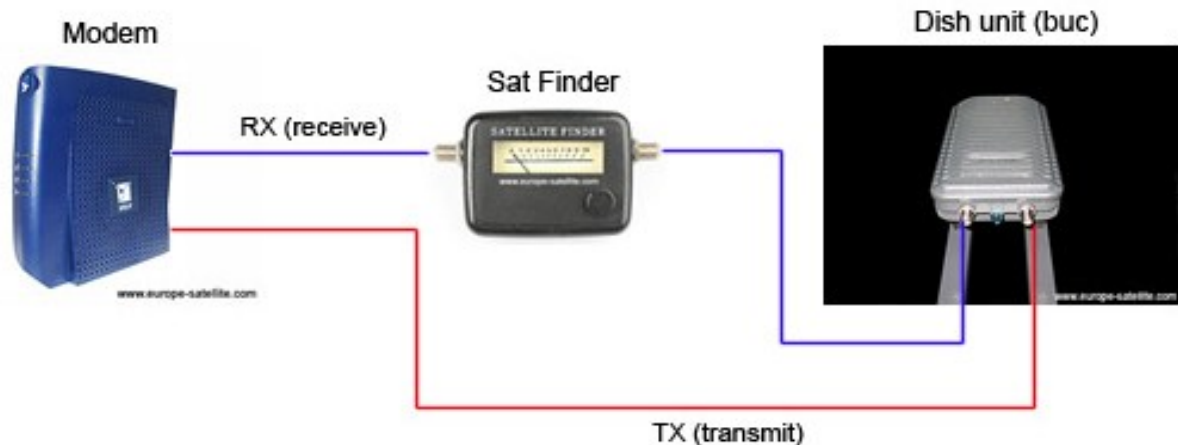


## Satellite Finder Setup



Modem must be powered ON when aligning the dish.

Always disconnect power first before connecting/disconnecting the Antenna (Coax) Cables

© El Molino Systems S.L.

### Setup diagram satellite finder Tooway KA.

- 1) Install Dish
- 2) Make sure modem is powered **OFF**.
- 3) Connect TX (**red**) cable modem <-> Dish unit (buc).
- 4) Connect RX (**blue**) cable to the Sat finder.
- 5) Connect RX (**blue**) cable from Sat finder to the RX connector at the Dish unit (buc).
- 6) Switch modem power **ON**.
- 7) Align the Dish.
- 8) Disconnect modem power **OFF**.
- 9) Remove Sat finder and connect TX (**blue**) modem <-> Dish unit (buc).
- 10) Switch modem **ON**.
- 11) If modem is not activated, follow instructions modem manual.
- 12) If modem is already activated, connect PC and ..... Google.

**NEVER CONNECT/DISCONNECT ANTENNA CABLES (COAX) WHEN MODEM POWER IS ON**